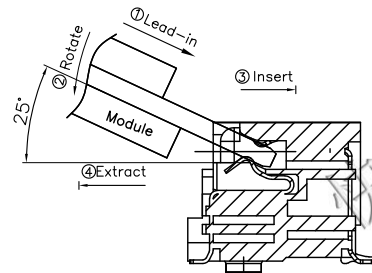
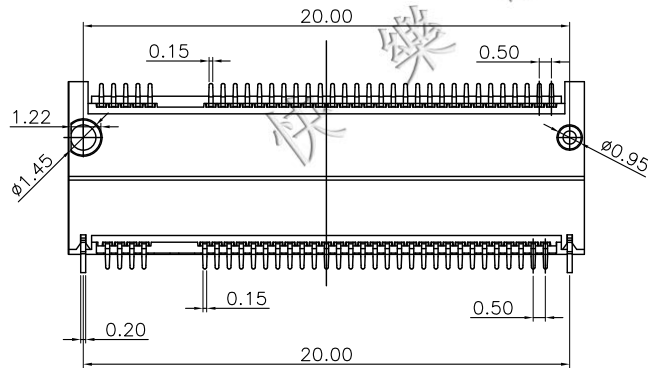
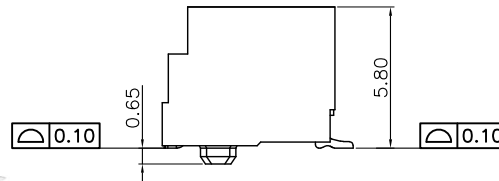
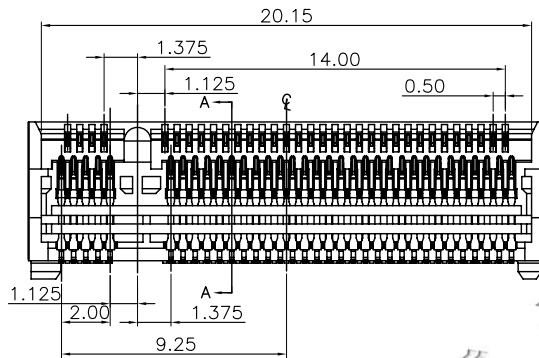
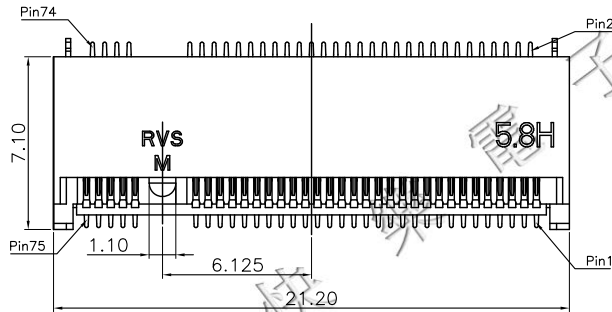
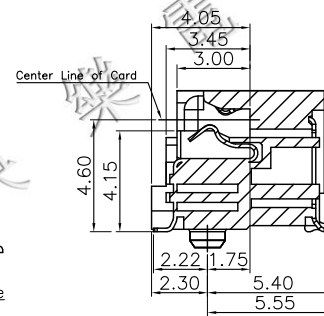


RoHS Compliant 

本產品不含有環境管理物質規定之有害物質  
kaler part does not contain harmful substances



How to mate and unmate  
Mate: ①-②-③  
Unmate: ④



Notes:

- 1.Kaler Part Material Description
  - 1.1 Housing:High Temperature Thermoplastic, Black UL 94V-0.
  - 1.2 Contact:Copper Alloy,Gold Plating at Mating Area,Matte Tin Plating at Solder Tail, All over Nickel.
  - 1.3 Leg:Copper Alloy,Matte Tin Plating over All, All over Nickel.
3. Ratings
  - 3.1 Voltage Rating: 50V AC (Per pin);
  - 3.2 Current Rating: 0.5A (Per pin);
  - 3.3 Operating Temperature: -25°C ~ 85°C;
4. Electrical Requirement:
  - 4.1 LLCR: 55mΩ Max,(Initial), 20mΩ Max. change allowed(Final);
  - 4.2 Dielectric Withstanding Voltage: 300V AC (RMS) for 1 minute;
  - 4.3 Insulation Resistance: 500MΩ Min. @ 500V DC.
5. Mechanical Requirement:
  - 5.1 Mating Force: 20N Max.
  - 5.2 Unmating Force: 20N Max.
  - 5.3 Durability: 60 Cycles.

NF26-01M0 x

Contact plated:

- 1:Contact area G/F, Solder tail G/F;
- 2:Contact area Au 3u", Solder tail G/F;
- 3:Contact area Au 5u", Solder tail G/F;
- 4:Contact area Au 10u", Solder tail G/F;
- 5:Contact area Au 15u", Solder tail G/F;
- 6:Contact area Au 30u", Solder tail G/F;

SCALE	N/A	DESIGNER	CHEN	22/9/22
REV	A	CHECKED	PANG	22/9/22
SHEET	1	APPROVE	JOHN	22/9/22

UNLESS OTHKRWISE SPECIFIED DIMENSIONS ARE IN mm

DIMRNSION	TOLERANCE
.XX	± 0.20
.X	± 0.30
X	± 0.50
ANGULAR	± 3°
UNIT	mm



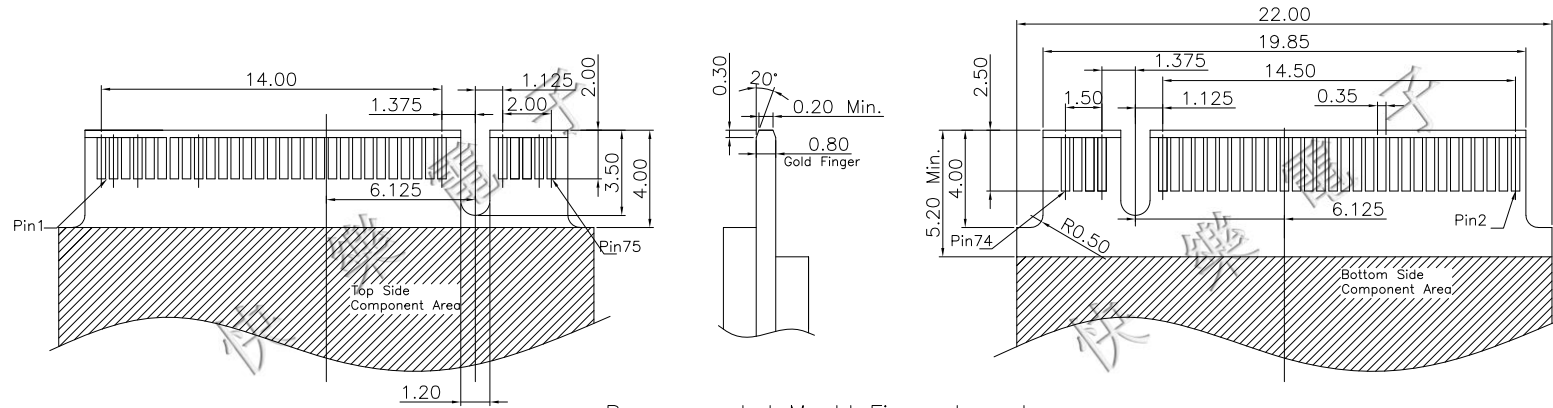
快樂電子有限公司  
KALER ELECTRONICS CO.,LTD.

TITLE:	NGFF Socket (M.2 Connector)5.8H, RVS M Key
PART NO.	NF26-01M01
DWG.NO.	

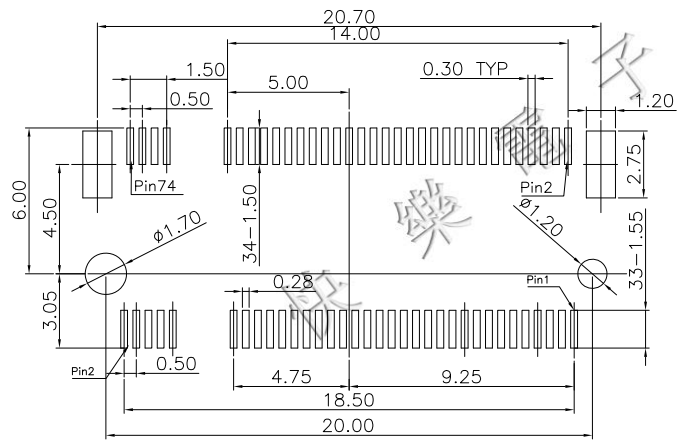
REVISIONS				
REV.	ECN NO.	LOCATION	DESCRIPTION	DATE
			INITIALRELEASE	

RoHS Compliant 

本部品不含有環境管理物質規定之有害物質  
kaler part does not contain harmful substances




Recommended Mould Finger Layout  
Default Tolerance ±0.05



Recommended PCB Pattern Layout  
General Tolerance: ±0.05

SCALE	N/A	DESIGNER	CHEN	22/9/22
REV	A	CHECKED	PANG	22/9/22
SHEET	2	APPROVE	JOHN	22/9/22

UNLESS OTHERWISE SPECIFIED DIMENSIONS ARE IN mm	
DIMRNSION	TOLERANCE
.XX	± 0.20
.X	± 0.30
X .	± 0.50
ANGULAR	± 3°
UNIT	mm 



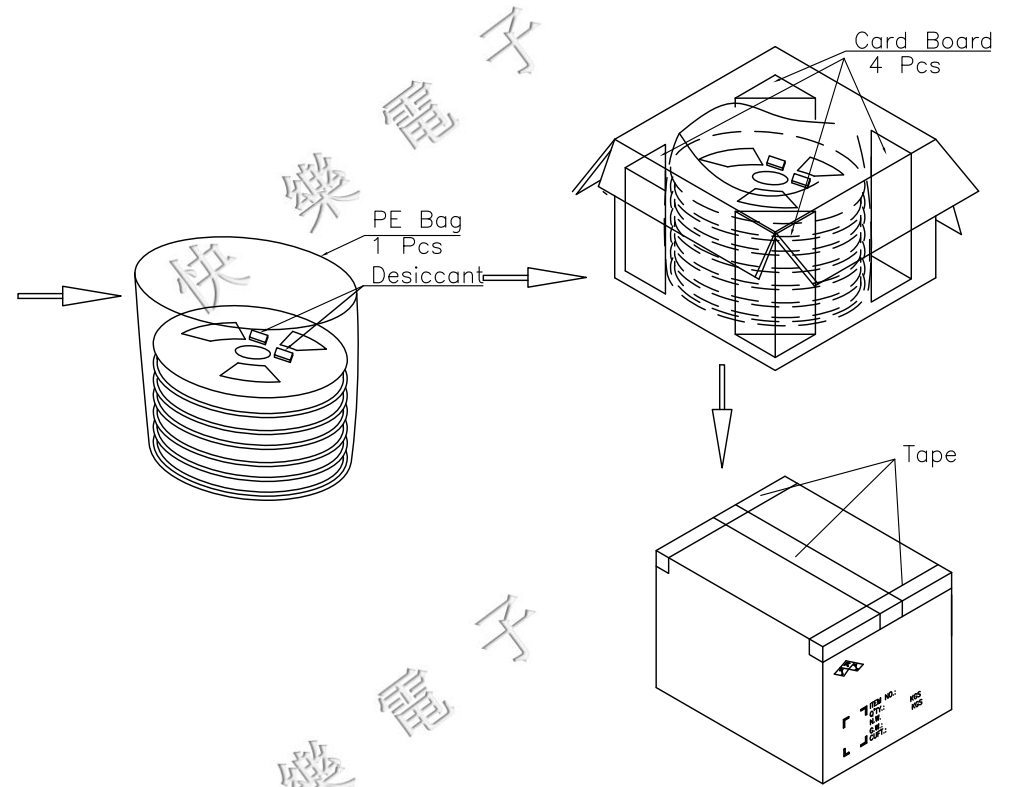
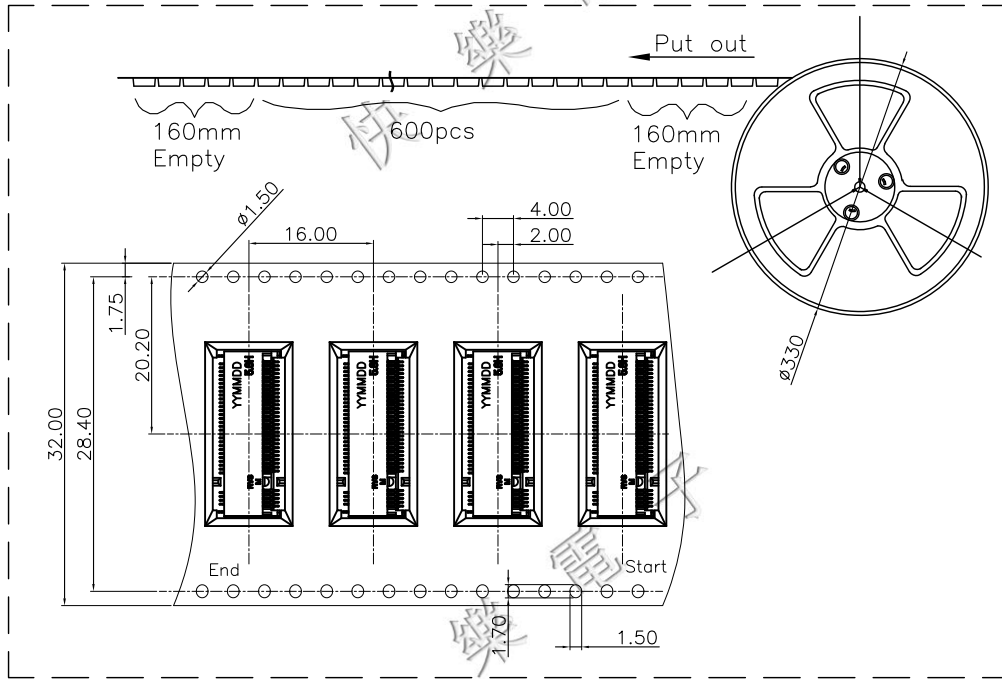
快樂電子有限公司  
KALER KALER ELECTRONICS CO.,LTD.

TITLE:	NGFF Socket (M.2 Connector)5.8H, RVS M Key
PART NO.	NF26-01M01
DWG.NO.	

REVISIONS				
REV.	ECN NO.	LOCATION	DESCRIPTION	DATE
			INITIALRELEASE	


RoHS Compliant 

本部品不含有環境管理物質規定之有害物質  
kaler part does not contain harmful substances



Notes:

1. Peel off force of top tape: 0.1~1.3N;
2. 600 pcs/reel, 6000 pcs/carton.

					SCALE	N/A	DESIGNER	CHEN	22/9/22	UNLESS OTHKRWISE SPECIFIED DIMENSIONS ARE IN MM	 <b>快樂電子有限公司</b> <b>KALER ELECTRONICS CO.,LTD.</b>																			
					REV	A	CHECKED	PANG	22/9/22			DIMRNSION	TOLERANCE	TITLE:	NGFF Socket (M.2 Connector)5.8H, RVS M Key															
					SHEET	3	APPROVE	JOHN	22/9/22			.XX	± 0.20	PART NO.	NF26-01M01															
					<table border="1"> <thead> <tr> <th colspan="5">REVISIONS</th> </tr> <tr> <th>REV.</th> <th>ECN NO.</th> <th>LOCATION</th> <th>DESCRIPTION</th> <th>DATE</th> </tr> </thead> <tbody> <tr> <td></td> <td></td> <td></td> <td>INITIALRELEASE</td> <td></td> </tr> </tbody> </table>					REVISIONS					REV.	ECN NO.	LOCATION	DESCRIPTION	DATE				INITIALRELEASE		DIMRNSION	TOLERANCE			DWG.NO.	
REVISIONS																														
REV.	ECN NO.	LOCATION	DESCRIPTION	DATE																										
			INITIALRELEASE																											
										X .	± 0.30																			
										ANGULAR	± 3°																			
										UNIT	mm																			