

RoHS Compliant

本部品不含有環境管理物質規定之有害物質
kaler part does not contain harmful substances

Notes:

1.Kaler Part Material Description

- 1.1 Housing:High Temperature Thermoplastic, Black UL 94V-0.
- 1.2 Contact:Copper Alloy,Gold Plating at Mating Area,Matte Tin Plating at Solder Tail, All over Nickel.
- 1.3 Leg:Copper Alloy,Matte Tin Plating over All, All over Nickel.

3. Ratings

- 3.1 Voltage Rating: 50V AC (Per pin);
- 3.2 Current Rating: 0.5A (Per pin);
- 3.3 Operating Temperature: -25°C ~ 85°C;

4. Electrical Requirement:

- 4.1 LLCR: 55mΩ Max,(Initial), 20mΩ Max. change allowed(Final);
- 4.2 Dielectric Withstanding Voltage: 300V AC (RMS) for 1 minute;
- 4.3 Insulation Resistance: 500MΩ Min. @ 500V DC.

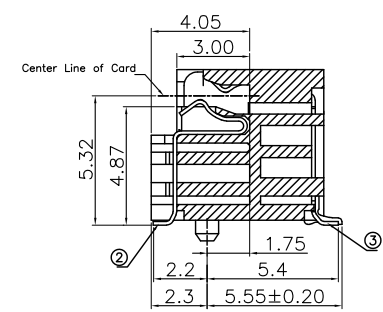
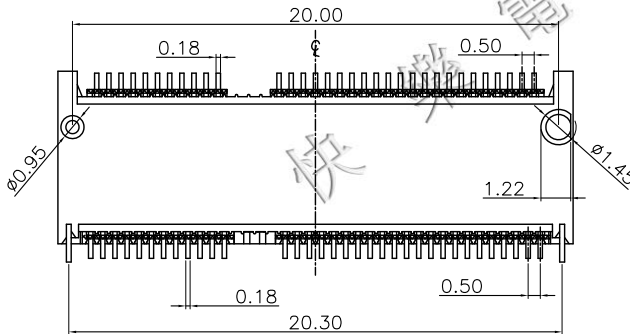
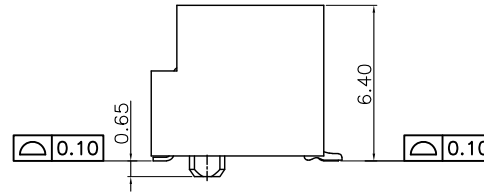
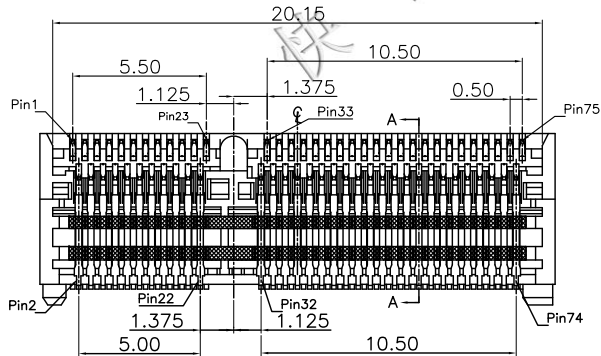
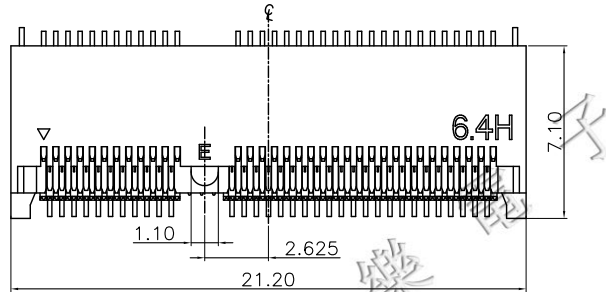
5. Mechanical Requirement:

- 5.1 Mating Force: 20N Max.
- 5.2 Unmating Force: 20N Max.
- 5.3 Durability: 60 Cycles.

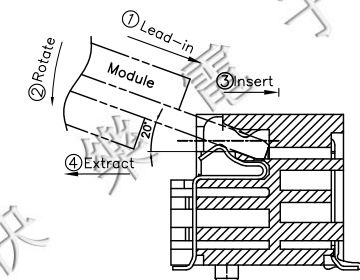
NF17-01E0 x

Contact plated:

- 1:Contact area G/F, Solder tail G/F;
- 2:Contact area Au 3u", Solder tail G/F;
- 3:Contact area Au 5u", Solder tail G/F;
- 4:Contact area Au 10u", Solder tail G/F;
- 5:Contact area Au 15u", Solder tail G/F;
- 6:Contact area Au 30u", Solder tail G/F;



Section: A-A



How to mate and Unmate
Mate: ①-②-③
Unmate:

REVISIONS				
REV.	ECN NO.	LOCATION	DESCRIPTION	DATE
			INITIAL RELEASE	

SCALE	N/A	DESIGNER	CHEN	22/9/22
REV	A	CHECKED	PANG	22/9/22
SHEET	1	APPROVE	JOHN	22/9/22

UNLESS OTHKRWISE SPECIFIED DIMENSIONS ARE IN mm

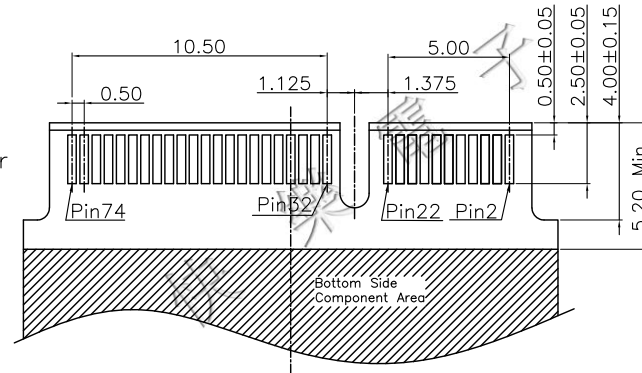
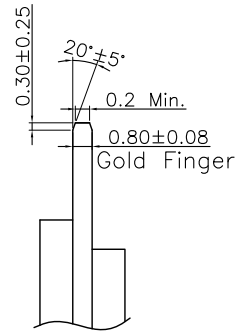
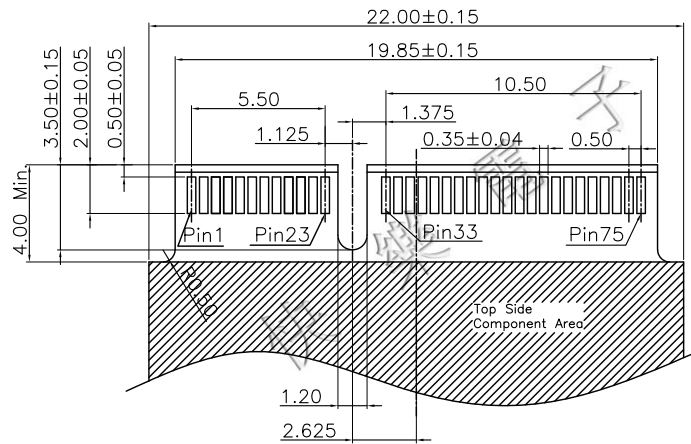
DIMRNSION	TOLERANCE
.XX	± 0.20
.X	± 0.30
X .	± 0.50
ANGULAR	± 3°
UNIT	mm

快樂電子有限公司
KALER ELECTRONICS CO.,LTD.

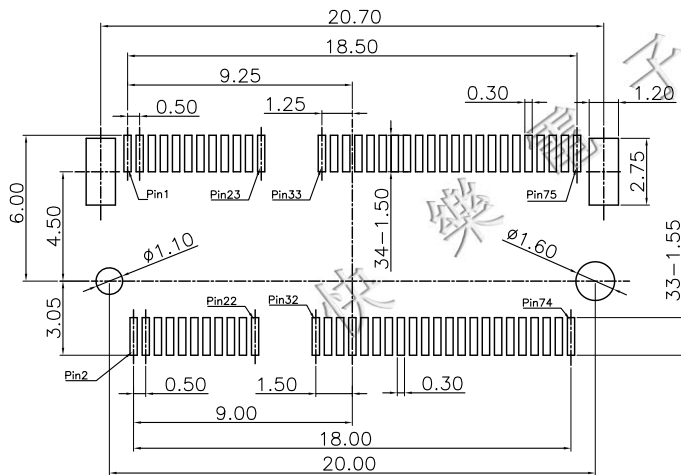
TITLE:	NGFF Socket(M.2 Connector) 6.4H STD E Key
PART NO.	NF17-01E01
DWG.NO.	

RoHS Compliant 

本部品不含有環境管理物質規定之有害物質
kaler part does not contain harmful substances




Recommended Mould Finger Layout
Default Tolerance ± 0.05



Recommended PCB Layout (Top View)
Default Tolerance ± 0.05

SCALE	N/A	DESIGNER	CHEN	22/9/22
REV	A	CHECKED	PANG	22/9/22
SHEET	2	APPROVE	JOHN	22/9/22

UNLESS OTHERWISE SPECIFIED DIMENSIONS ARE IN mm

DIMRNSION	TOLERANCE
.XX	± 0.20
.X	± 0.30
X	± 0.50
ANGULAR	$\pm 3^\circ$
UNIT	mm 



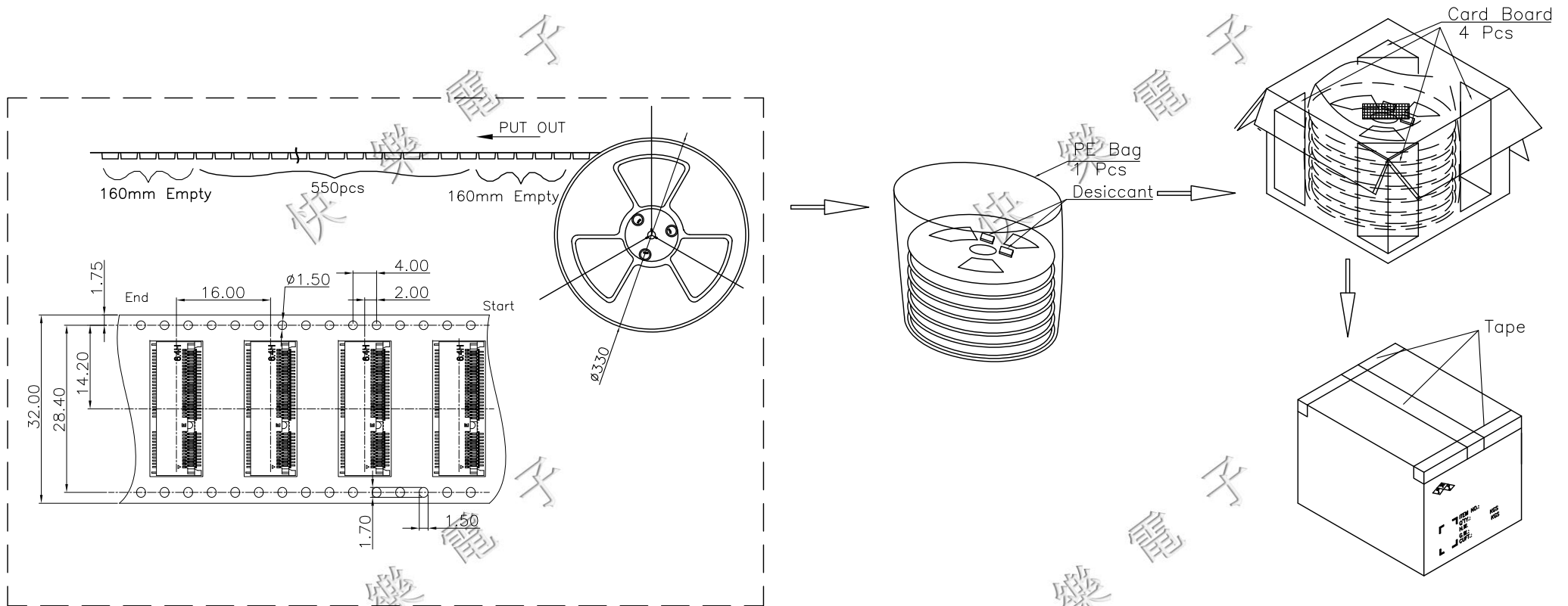
快樂電子有限公司
KALER ELECTRONICS CO.,LTD.

TITLE:	NGFF Socket(M.2 Connector) 6.4H STD E Key
PART NO.	NF17-01E01
DWG.NO.	

REVISIONS				
REV.	ECN NO.	LOCATION	DESCRIPTION	DATE
			INITIALRELEASE	



RoHS Compliant 

本部品不含有環境管理物質規定之有害物質
kaler part does not contain harmful substances



Notes:

1. Peel off force of top tape: 0.1~1.3N;
2. 550 pcs/reel, 5500 pcs/carton.

					SCALE	N/A	DESIGNER	CHEN	22/9/22	UNLESS OTHKRWISE SPECIFIED DIMENSIONS ARE IN mm	 快樂電子有限公司 KALER ELECTRONICS CO.,LTD.															
					REV	A	CHECKED	PANG	22/9/22			DIMRNSION TOLERANCE .XX ± 0.20 .X ± 0.30 X . ± 0.50 ANGULAR ± 3° UNIT mm 	TITLE:	NGFF Socket(M.2 Connector) 6.4H STD E Key												
					SHEET	3	APPROVE	JOHN	22/9/22				PART NO.	NF17-01E01												
					<table border="1"> <thead> <tr> <th colspan="5">REVISIONS</th> </tr> <tr> <th>REV.</th> <th>ECN NO.</th> <th>LOCATION</th> <th>DESCRIPTION</th> <th>DATE</th> </tr> </thead> <tbody> <tr> <td></td> <td></td> <td></td> <td>INITIALRELEASE</td> <td></td> </tr> </tbody> </table>					REVISIONS					REV.	ECN NO.	LOCATION	DESCRIPTION	DATE				INITIALRELEASE		DWG.NO.	
REVISIONS																										
REV.	ECN NO.	LOCATION	DESCRIPTION	DATE																						
			INITIALRELEASE																							